

# Dynamini™ / DG II™ Configured System

DYNAMINI™ hot melt adhesive supply units provide exceptional value in a small hot melt unit which has been designed for optimal performance, reliability and simplified daily operation. The DG II™ is designed for flexibility and can be used in various configurations depending upon your application.

## DYNAMINI™ Adhesive Supply Unit

- Melt-on-Demand Hopper Grid extends adhesive life and performance
- 7 year Melt-on-Demand hopper warranty
- Self-diagnostic P.I. digital Temperature controller with platinum sensor accuracy

## DG II™ Hand Applicator

- Rotary swivel or ball swivel with top or bottom hose connections
- Ergonomic handle with a clear sight line to the nozzle tip
- Easy to change cartridge-style heater and sensor

## Configured System Consists of:

- Dynamini™ adhesive supply unit
- Hot melt adhesive hose
- DG II™ hand applicator
- Bead or swirl nozzle

### Flexibility

Rotary swivel or ball swivel with top or bottom hose connection configurations.

### Reliability

Melt-On-Demand hopper extends adhesive life and performance.

### Simplicity

Icon-driven control panel simplifies operations.



## ITW Dynatec - Dynamini™ Series/DG II™ Configured System

Shown with optional cart, boom assembly, tool balancer, and hose cradle

## The Dynatec Difference...

### Melt-on-Demand Hopper

Most suppliers will agree that adhesive degradation is the number one cause of downtime on hot melt equipment. To address this problem, ITW Dynatec has patented a "Melt-On-Demand" system. ITW Dynatec's vertical, unheated hoppers only melt the amount of adhesive required by the application. Most of the hot melt adhesive in the hopper remains at a

much lower temperature, perhaps even solid state. The added benefits of melting only the adhesive required are quicker start-ups, reduced energy costs, better viscosity control, and reduced fumes.

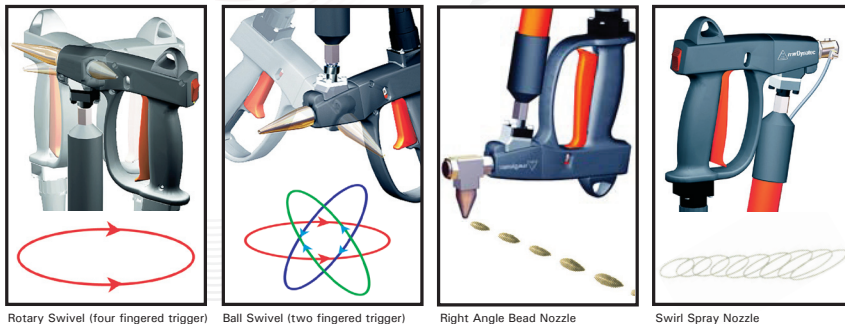
# Dynamini™ / DG II™ Configured System

System	N05
Hopper Capacity	5k (10lbs)
Operating Temperature	40 to 218°C (100 to 425°F)
Melt Rate (per hour)*	8kg/hr (17.3lb/hr)
Pump Rate (piston)	.91kg/min (2lb/min)
Piston Pump Compression Ratios	12:1
Gear Pump	1.5, 3.2, & 4.5 cc/rev
Hose Output Zones	2
Maximum Working Hydraulic Pressure	6.8 MPa (1000psi) - Piston Pump
Temperature Control Stability	± 1°C (1°F)
Electrical Service Standard	100 to 120 VAC 1 Phase 50/60 Hz
Electrical Service Standard	200 to 240 VAC 1 Phase 50/60 Hz
Working Viscosity	500 - 50,000 cps

\*Melt rates vary with adhesive type. All units capable of 2 hoses and applicators. Units can be fitted with a piston or gear pump.

## Optional Specifications/Configurations

- The **ROTARY SWIVEL** is useful when the hose is connected at the bottom of the hand applicator. The movement of the applicator can control the hose position.
- The **BALL SWIVEL** is useful when the hose is connected at the top of the hand applicator and the applicator is suspended from the hose or a tool balancer.
- Two- or four-finger trigger configurations available.
- Right angle bead and swirl nozzle configuration available.
- **Electrical:** 80 Watts at 120 or 240 VAC 1 Phase 50/60 Hz



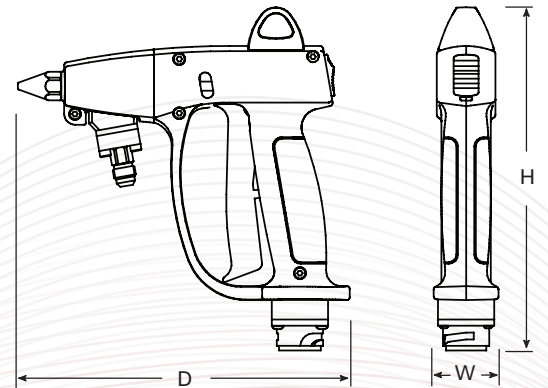
Rotary Swivel (four fingered trigger)

Ball Swivel (two fingered trigger)

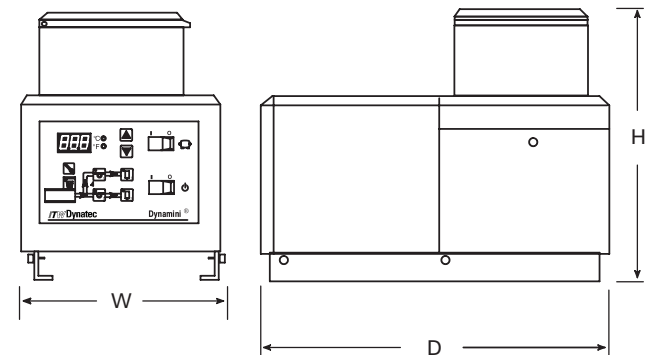
Right Angle Bead Nozzle

Swirl Spray Nozzle

Dimensions	DG II Hand Applicator
Height (H)	22.2cm (8.74in)
Depth (D)	22.5cm (8.86in)
Width (W)	4.2cm (1.65in)
Weight (empty)	.77kg (1.7lbs)



Dimensions	N05
Height (H)	45cm (17.75in)
Depth (D)	54cm (21.25in)
Width (W)	29cm (11.38in)
Weight (empty)	34.47kg (76lbs)



**ITW Dynatec**

**ASIA**  
ITW Dynatec Hong Kong  
Unit A-B, 11/FI., Leahander  
Centre 28  
Wang Wo Tsai Street  
Tsuen Wan NT Hong Kong

**AMERICAS**  
ITW Dynatec  
31 Volunteer Drive  
Hendersonville, TN 37075  
Telephone 615-824-3634  
+1.800.860.6150  
Fax +1.615.264.5248  
dynatec@itwdynatec.com

**JAPAN**  
ITW Dynatec K.K.  
Tsukimura Building 5th Floor  
26-11, Nishikamata 7-chome  
Ota-ku, Tokyo 144-0051, Japan  
Telephone +81.3.5703.5501  
Fax +81.3.5703.5505  
info@itwdynatec.co.jp

**EUROPE, AFRICA and MIDDLE EAST**  
ITW Dynatec GmbH  
Industriestrasse 28  
D-40822 Mettmann, Germany  
Telephone +49.210.4915.0  
Fax +49.210.491.5111  
e.mail@itwdynatec.de

© 8/2008 ITW Dynatec  
ITW Dynatec reserves the right to discontinue or change specifications, designs, materials and equipment without notice or obligation.

Visit us at [www.itwdynatec.com](http://www.itwdynatec.com)